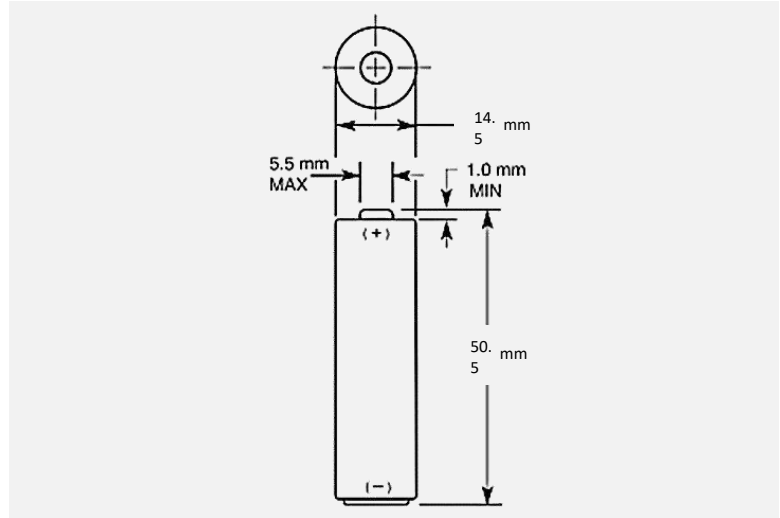


## ALKALINE-MANGANESE DIOXIDE BATTERY



Size: AA (LR6) PC1500



Dimensions shown are IEC standards

### KEY FEATURES

- Reliable Performance
- Excellent resistance to corrosion
- Designed to meet all major quality, safety and environmental standards:
  - Safety: IEC 60086-5
  - ANSI C 18.1M, Part-2
  - EU Battery Directive
  - Quality: ISO 14001 and 9001, Duracell World Class Continuous Improvement Program

### TYPICAL APPLICATIONS

- Remote Control
- Wireless Mouse / Keyboard
- Clocks
- Flashlights
- Thermostats

### ELECTRICAL CHARACTERISTICS

- |                                               |           |
|-----------------------------------------------|-----------|
| ▪ Nominal capacity (25 mA Cont., .8V cut-off) | 3,125 mAh |
| ▪ Typical Voltage (at + 20 °C)                | 1.5 V     |
| ▪ AC Impedance @ 1kHz                         | 98 mΩ     |

### PHYSICAL CHARACTERISTICS

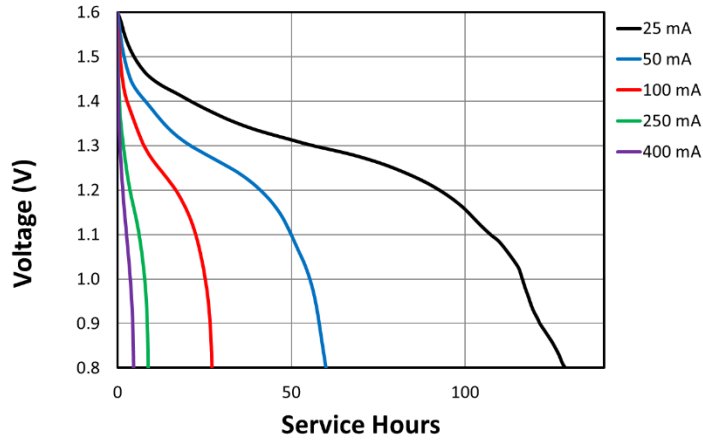
- |                  |                                            |
|------------------|--------------------------------------------|
| ▪ Typical weight | 24.7 g (0.9 oz)                            |
| ▪ Typical volume | 8.4 cm <sup>3</sup> (0.5 in <sup>3</sup> ) |
| ▪ Terminals      | Flat                                       |

### OPERATING & STORAGE CONDITIONS

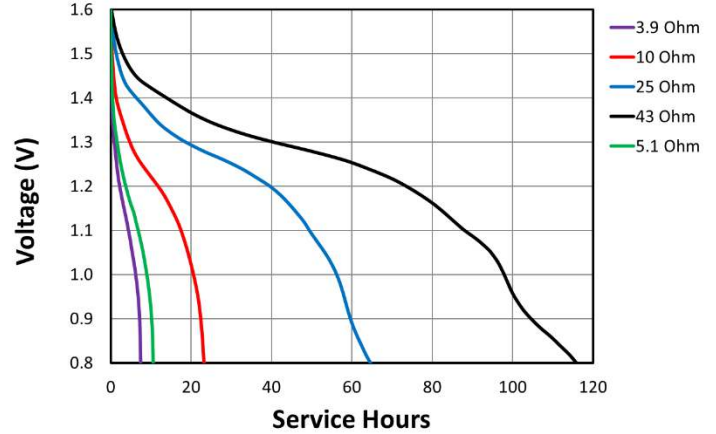
- |                                                                                |                                  |
|--------------------------------------------------------------------------------|----------------------------------|
| ▪ Operating temperature range                                                  | -20°C to 54°C<br>(-4°F to 130°F) |
| ▪ Recommended Storage (storage area should be clean, cool, dry and ventilated) | 5°C to 30°C<br>(41°F to 86°F)    |

TYPICAL PERFORMANCE

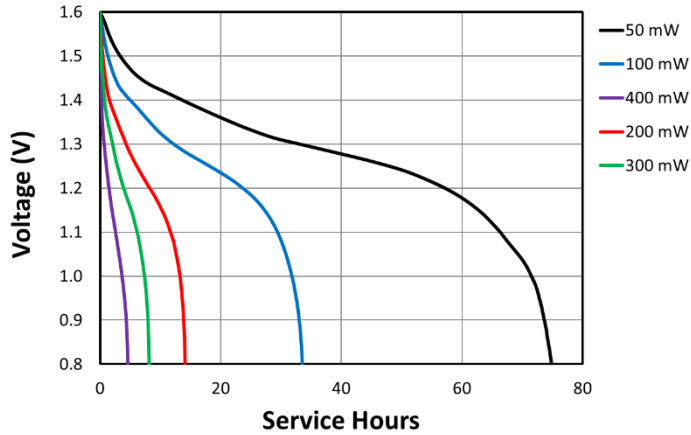
Constant Current



Constant Resistance



Constant Power



Constant Current - 100 mA

