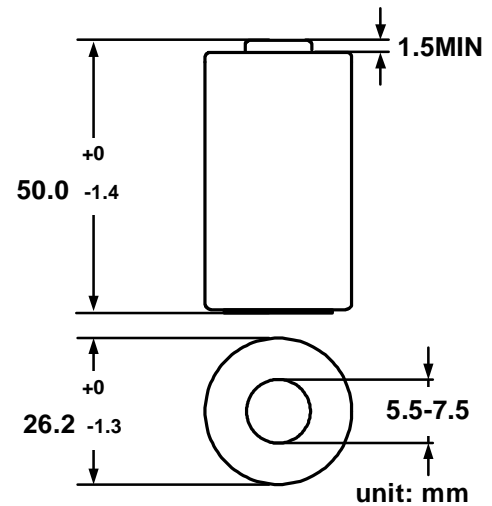


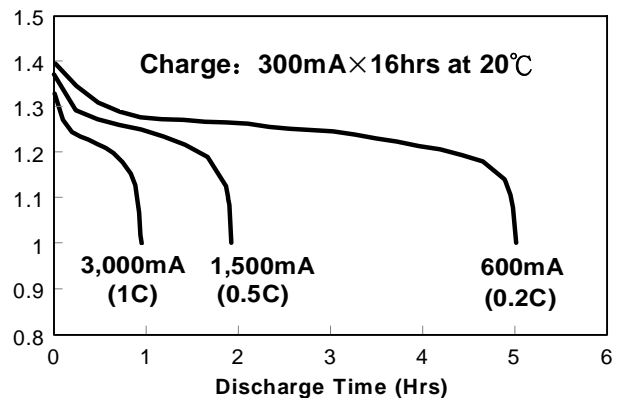
Model No.: GP300CHC

Type	: Rechargeable Nickel Metal Hydride Cylindrical Cell
Nominal Dimension (with Sleeve)	: $\Phi = 26.2\text{mm}$ H = 50.0mm
Applications	: Recommended discharge current 300mA to 9A
Nominal Voltage	: 1.2V
Capacity	: Rated: 3000mAh Typical: 3100mAh When discharged at 600mA to 1.0V at 20°C
Charging Condition	: 300mA for 16 hrs at 20°C
Fast Charge	: 1500mA to 3000mA (0.5 to 1C) charge termination control recommended control parameters: - ΔV : 0-5mV DT/dt : 0.8°C/min (0.5 to 0.9C) 0.8 - 1°C/min (1C) TCO : 45 - 50°C Timer : 105% nominal input (for ref. only)
Service Life	: >500 cycles (IEC standard)
Continuous Overcharge	: 300mA maximum current for 1 year. No conspicuous deformation and/or Leakage
Weight	: 59.0g
Internal Resistance	: Average 40m Ω upon fully charged (Max 45m Ω) at 1000Hz
Max. Charging Voltage	: 1.5V at 300mA charging
Ambient Temperature Range	: Standard Charge : 0 to 40°C Fast Charging : 10 to 40°C Discharge : -20 to 50°C Storage : -20 to 35°C Storage (1week) : -20 to 60°C



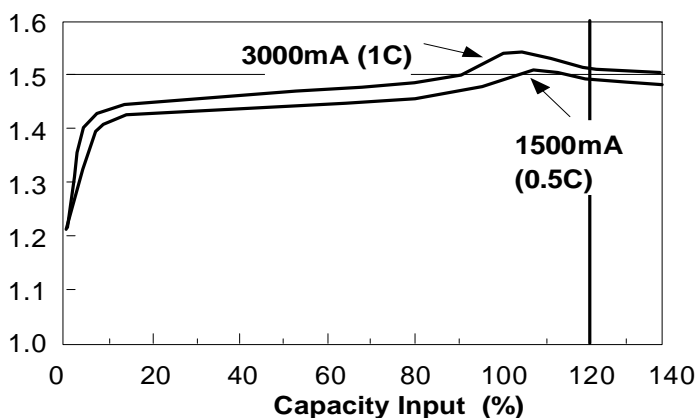
Low Rate Discharge

Voltage (V)



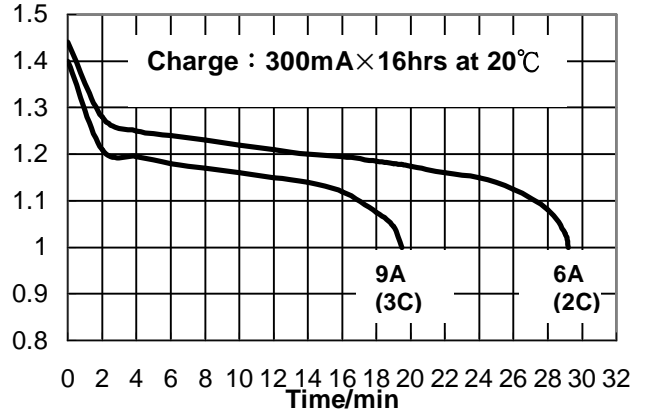
Fast Charge (Charge Control required)

Voltage (V)



High Rate Discharge

Voltage(V)



The information (subject to change without prior notice) contained in this document is for reference only and should not be used as a basis for product guarantee or warranty. For applications other than those described here, please consult your nearest GP Sales and Marketing Office or Distributors.