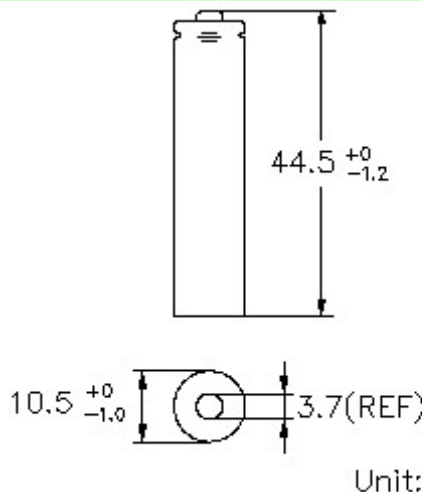
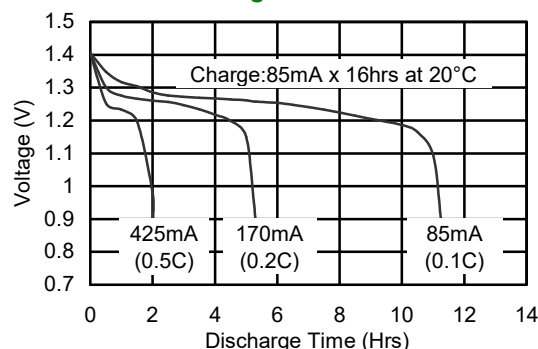


Model No.: GP85AAAHCE

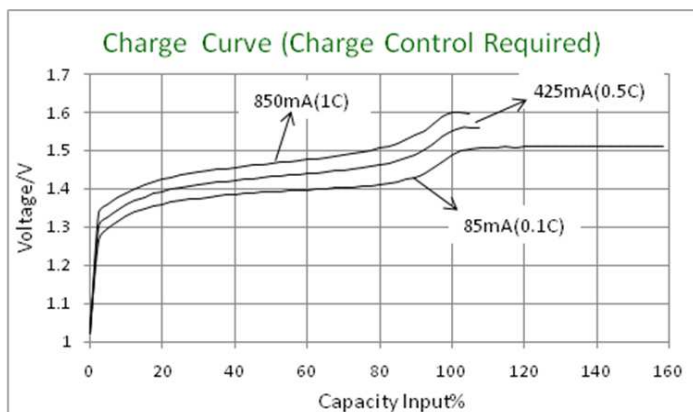
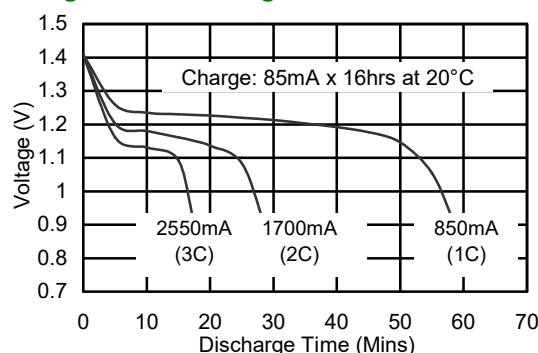
Type	: Rechargeable Nickel Metal Hydride Cylindrical Cell
Recycled material content	: Rechargeable Nickel Metal Hydride Battery Made with Minimum 10% Recycled materials
Nominal Dimension (with Sleeve)	: $\Phi = 10.5\text{mm}$ H = 44.5mm
Applications	: Recommended discharge current 85 to 2550mA
Nominal Voltage	: 1.2V
Capacity	: Rated: 850mAh Typical: 900mAh When discharged at 170mA to 1.0V at 20°C
Charging Condition	: 85mA for 16 hrs at 20°C
Charging Retention	: 80% of rated capacity after cell storage at 20°C for 12 months When discharged at 170mA to 1.0V at 20°C
Fast Charge	: 425mA to 850mA (0.5 to 1C) charge termination control recommended control parameters: - ΔV : 0-5mV DT/dt : 0.8°C/min (0.5 to 0.9C) 0.8 - 1°C/min (1C) TCO : 45 - 50°C Timer : 105% nominal input (for ref. only)
Service Life	: >500 cycles (IEC standard)
Continuous Overcharge	: 85mA maximum current for 1 year. No conspicuous deformation and/or leakage
Weight	: 14.5g
Internal Resistance	: Average 40m Ω upon fully charged (Max. 60m Ω) at 1000Hz
Max. Charging Voltage	: 1.5V at 85mA charging
Ambient Temperature Range	: Standard Charge : 0 to 45°C Fast Charging : 10 to 45°C Discharge : -20 to 50°C Storage : -20 to 35°C



Low Rate Discharge



High Rate Discharge



The information (subject to change without prior notice) contained in this document is for reference only and should not be used as a basis for product guarantee or warranty. For applications other than those described here, please consult your nearest GP Sales and Marketing Office or Distributors.