

# 3240 LI Max. 8.5A

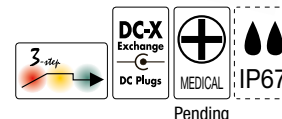
## Charger for Li-Ion batteries

Autodetect 115/230 VAC

- 3-step charge control with current detection as charge termination
- Switch mode charger
- Charging 1-16 Li-Ion battery cells
- 3-colored LED indicator
- 2-pin IEC 320 input connector
- Mains cord not included
- Waterproof (IP67) version available
- With NTC input on request
- Custom specifications on request
- Approvals:
  - Complies w. medical std EN 60601
  - For updates: see [www.mascot.no](http://www.mascot.no)
- 3-trinns ladekontroll med strømdeleksjon som ladestopp
- Switch mode lader
- Opplading av 1-16 Li-Ion battericeller
- 3-farget lysdiodeindikator
- 2-pins IEC 320 nettkontakt
- Nettledning ikke inkludert
- Vannrett (IP67) versjon kan leveres
- Med NTC input på forespørsel
- Tilpasninger leveres på forespørsel
- Godkjenninger:
  - Tilfredsst. medisinsk std EN 60601
  - For oppdat.: se [www.mascot.no](http://www.mascot.no)



tech spec



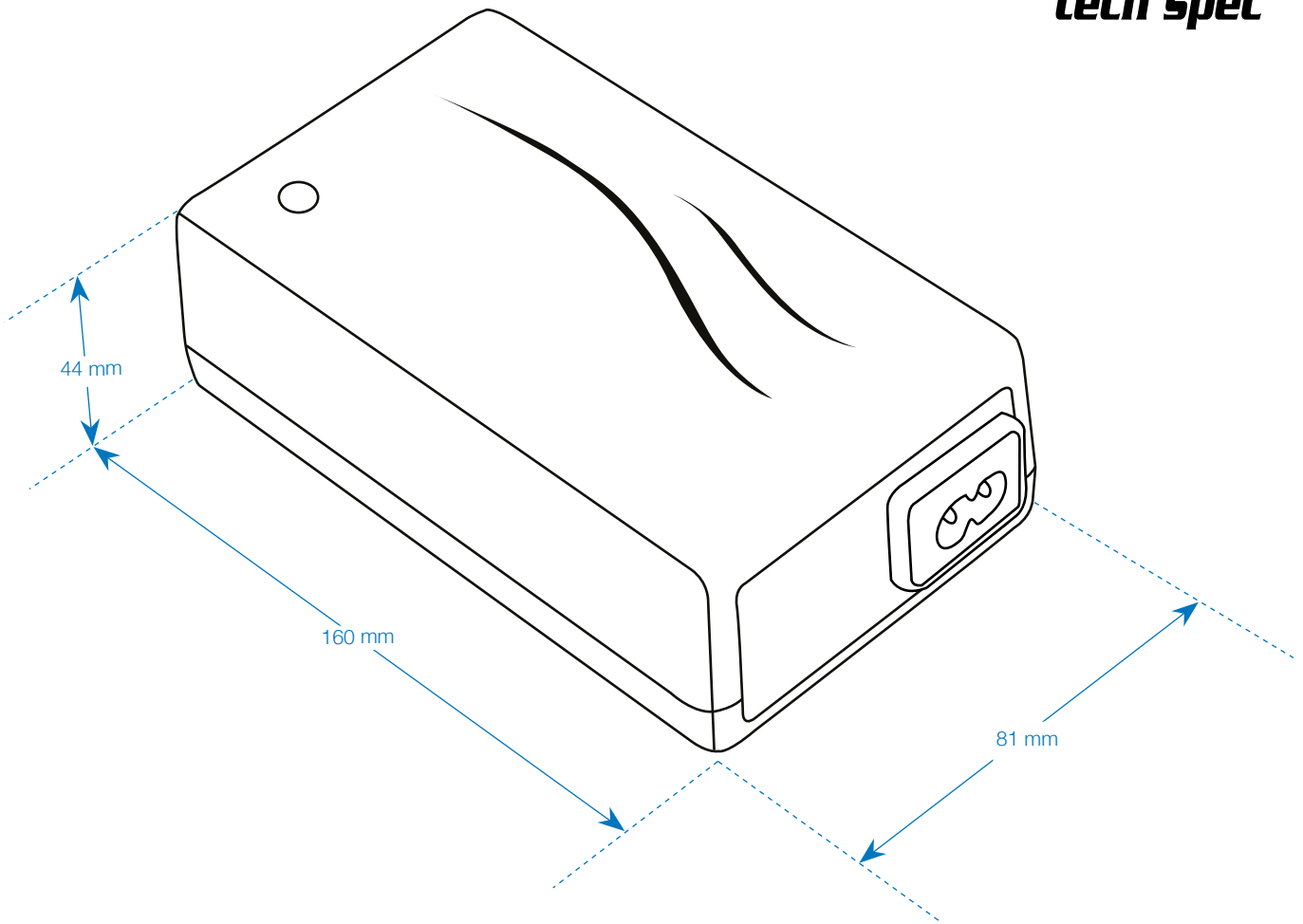
### Preliminary Technical Specifications

### Foreløpige Tekniske data

Input voltage:	Inngangsspenning:	95-130 VAC and 198-264 VAC
Line Frequency:	Frekvensområde:	47 – 63Hz
Switch frequency. approx.:	Svitsjefrekvens ca.:	65kHz
Leakage current from battery with mains switched off:	Strømtrekk fra batteri ved frakoblet nett:	<1mA
Temperature range <ul style="list-style-type: none"><li>• operating:</li><li>• storage:</li></ul>	Temperaturområde <ul style="list-style-type: none"><li>• drift:</li><li>• lagring:</li></ul>	<ul style="list-style-type: none"><li>-25 °C - +40 °C</li><li>-25 °C - +85 °C</li></ul>
Ripple:	Rippel:	< 100 mV p-p
Protection:	Sikring:	Protected against reversed polarity and short circuit proof Polvendings- og kortslutningssikker
Insulation class:	Isolasjonsklasse:	II
Insulation voltage	Isolasjonsspenning	
Primary – secondary:	Primær - sekundær:	4000VAC / 5700VDC
Electrical safety:	Elektrisk sikkerhet:	EN 60601-1. EN 60335-2-29
EMC standards <ul style="list-style-type: none"><li>• Medical:</li><li>• Emission:</li><li>• Immunity:</li></ul>	EMC standarder <ul style="list-style-type: none"><li>• Medisinsk:</li><li>• Emisjon:</li><li>• Immunitet:</li></ul>	<ul style="list-style-type: none"><li>EN 60601-1-2</li><li>EN 61000-6-3</li><li>EN 61000-6-1</li></ul>
Input terminal*:	Inngangsterminal*:	2-pins IEC 60320 connector
Output terminals:	Utgangsterminaler:	Open ends or DC connector. (6-14c) Ledning u. plugg eller DC plugg (6-14c)
IP-code:	IP-Grad:	41 (IP67 on request)
Dimensions (LxWxH):	Mål (LxBxH):	160 x 81 x 44mm
Weight:	Vekt:	540g (1040g IP67 version)

Voltage versions –see next page  
Spenningsversjoner – se neste side

			Charge control - Ladekontroll						
			Step 1 (orange)	Step 2a (orange)	Step 2b (gul/yellow)	Step 3 (grønn/green)			
Cells	Max output power (W)	Efficiency (100% at 230V)	Charge Current	Charge Voltage	To yellow when current is:	Charge Termin. when current is:	Charge start Vbat<		
1 Cells	36 W	>85%	8.5A +0/-0.4A	4.2V ±0.05V	3.8A ±0.2A	300mA ±30%	4.1V ±0.1V	Or mains turned on/ Eller nettpåslag	
2 Cells	68 W	>87%	8.0A +0/-0.4A	8.4V ±0.1V	3.5A ±0.2A		8.2V ±0.1V		
3 Cells	88 W	>89%	7.0A +0/-0.4A	12.6V ±0.1V	3.1A ±0.2A		12.3V ±0.1V		
4 Cells	101 W	>89%	6.0A +0/-0.4A	16.8V ±0.1V	2.7A ±0.2A		16.4V ±0.1V		
5 Cells	95 W	>89%	4.5A +0/-0.4A	21.0V ±0.2V	1.9A ±0.2A		20.5V ±0.2V		
6 Cells	100 W	>89%	3.9A +0/-0.3A	25.2V ±0.2V	1.7A ±0.2A		24.6V ±0.2V		
7 Cells	103 W	>89%	3.5A +0/-0.3A	29.4V ±0.2V	1.6A ±0.2A		28.7V ±0.2V		
8 Cells	100 W	>89%	3.0A +0/-0.3A	33.6V ±0.2V	1.4A ±0.2A		32.8V ±0.2V		
10 Cells	101 W	>89%	2.4A +0/-0.3A	42.0V ±0.2V	1.2A ±0.2A		41.0V ±0.4V		
13 Cells	98 W	>89%	1.8A +0/-0.3A	54.6V ±0.3V	0.8A ±0.2A		53.3V ±0.4V		



## Mounting brackets

### TYPE 201970

1 mounting bracket per unit  
Available separately

