

The supplier acknowledges that, with the acceptance of the drawing, he is obligated to manufacture the described part in accordance with the drawing. In particular, the manufacturer is responsible for the correct interpretation of the drawing. The manufacturer is not responsible for any errors in the drawing. The manufacturer is not responsible for any errors in the drawing. The manufacturer is not responsible for any errors in the drawing.

- Technische Daten/  
 technical data : Akkupack/  
 battery pack  
 Chemie/  
 chemistry : Lithium Ion  
 Zellenzahl/  
 no. of cells : 3 Zellen/ cells ; 3S1P  
 Zellentyp/  
 cell type : INR18650 LGC MJI  
 Kapazität/  
 capacity : nom. 3500mAh discharge at 0.2C  
 min. 3350mAh discharge at 0.2C  
 ta20°C; EV(Discharge End Voltage): 2.5V per cell  
 Innenwiderstand/  
 impedance : < 200mOhm (battery and safetyboard)  
 Nominalspannung/  
 nominal voltage : 10.905V  
 Standard Ladespannung/  
 standard charge voltage : 12.6V±1%  
 Standard Entladespannung/  
 standard discharge voltage : 7.5V  
 Nominale Ladestrom/  
 nominal charge current : 0.5C  
 Maximaler Ladestrom/  
 maximum charge current : 1C  
 Ladeendstrom/  
 charge end current : 0.01C recommended  
 Maximaler Entladestrom/  
 maximum discharge current : 5000mA (limited by safetyboard)  
 Anwendungsbereich/  
 ambient temperature range : 0°C..+45°C charge  
 -20°C..+60°C discharge  
 -20°C..+30°C storage max. 1 year  
 -20°C..+45°C storage max. 3months  
 Selbstentladung/  
 self discharge : ≤ 5% / month at20°C  
 ≤ 10% / month at30°C  
 ≤ 20% / month at40°C  
 Standards/  
 : UN 3480, Subsection 38.3  
 All cells and battery packs type tested according  
 to UN manual of test and criteria subsection 38.3

Technische Daten/  
 technical data : Sicherheitsschaltung/  
 safety board (0180-3030)

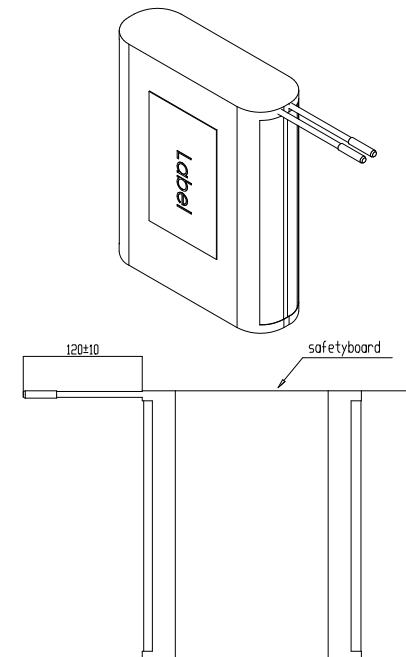
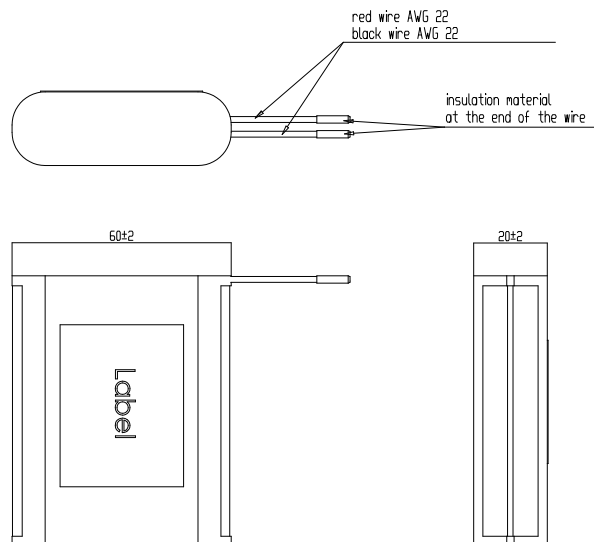
- Überladeschutzspannung/  
 over charge voltage detection : 4.35V±25mV per cell  
 Wiedereinschaltspannung/  
 over charge release voltage : 4.15V±50mV per cell  
 Entladeabschaltspannung/  
 over discharge detection voltage : 2.4V±80mV per cell  
 Wiedereinschaltspannung/  
 over discharge release voltage : 3.0V±100mV per cell  
 Nominale Lade/Entladestrom/  
 nominal operating current : 5A  
 Entlade Abschaltstrom/  
 discharge cut off current : 12A±2A  
 Kurzschlusschutz/  
 short circuit protection : gegen äußeren Kurzschluss/  
 against external short circuit  
 Temperaturschalter/  
 temperature switch : PTC : JK-P730 20V/7.3A at 25°C; 6.2A at 40°C  
 MOSFET : im Plusweig  
 in positive path

Rückstellkriterium/  
 release condition : Last trennen, Aktiv nach Anladen/  
 cut load, release after charging up

Leiterplattenmaterial/  
 pcb material : FR4

Nettogewicht/  
 net weight : 151g

Standards : CE



battery pack covered with 2 layers of blue shrinktube

| Application range for inquiry |                           |          |      | Allowable deviation general tolerances |        | Tolerance principle: |      | Model:  |  | Material:            |  |
|-------------------------------|---------------------------|----------|------|--|--------|----------------------|------|---|--|----------------------|--|
|                               |                           |          |      | DIN ISO 2768-m                         |        | ISO 8015             |      | Scale (DN A2):                                    |  | All dimensions in mm |  |
|                               |                           |          |      |  |        |                      |      | 1:1   |  |                      |  |
|                               |                           |          |      | 2016                                   | Date   |                      | Name | Drawing name                                      |  |                      |  |
|                               |                           |          |      | Drawn by                               | 12.10. |                      | JX   | Li-Ion-10.9V-3500mAh-3S1P-PTC/LG with safetyboard |  |                      |  |
|                               |                           |          |      | Approved by                            |        |                      |      |   |  |                      |  |
| V2                            | cable length changed      | 16.01.18 | DS   | <b>ANSMANN</b>                         |        |                      |      | Drawing number                                    |  | Sheet                |  |
| V1                            | change request DE-17-0071 | 14.11.17 | DS   |  |        |                      |      | Part number                                       |  | 1/1                  |  |
| V0                            | technical data corrected  | 20.12.16 | JX   |  |        |                      |      | Part number                                       |  | 2447-3031-20         |  |
| Version                       | Change                    | Date     | Name | Project: IS-206-0063                   |        | Replaced by:         |      | Replacement through:                              |  |                      |  |