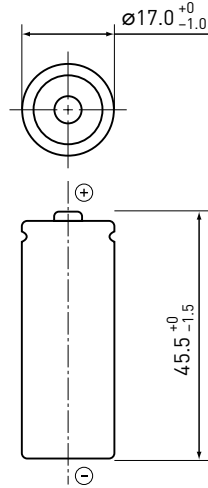


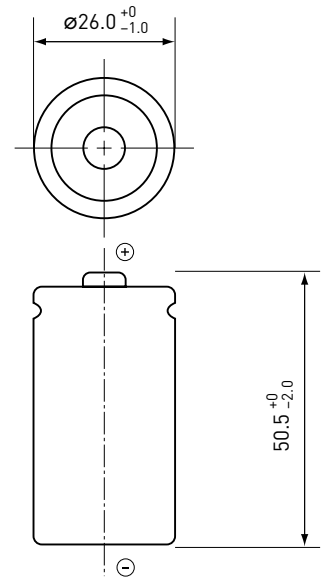
2 POLY-CARBONMONOFLUORIDE LITHIUM BATTERIES (BR SERIES)

BR-AG

DIMENSIONS (MM)



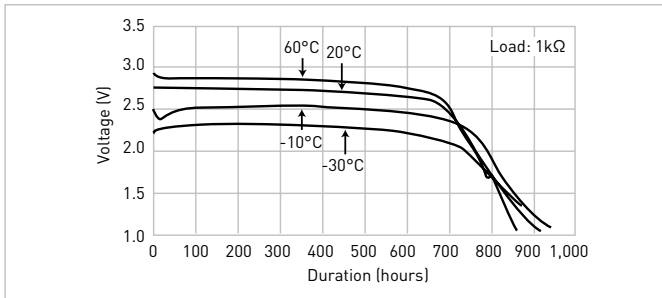
BR-C



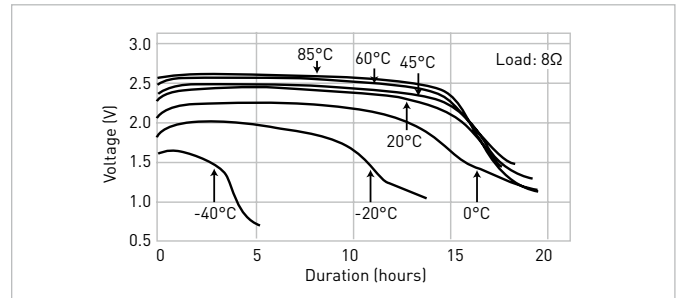
Model number	BR-AG
Nominal voltage (V)	3
Nominal capacity (mAh)	2,200
Diameter (mm)	17.0
Total height (mm)	45.5
Discharging temperature range (°C)	-40 to +85
Weight (g)	18.0

Model number	BR-C
Nominal voltage (V)	3
Nominal capacity (mAh)	5,000
Diameter (mm)	26.0
Total height (mm)	50.5
Discharging temperature range (°C)	-40 to +85
Weight (g)	42.0

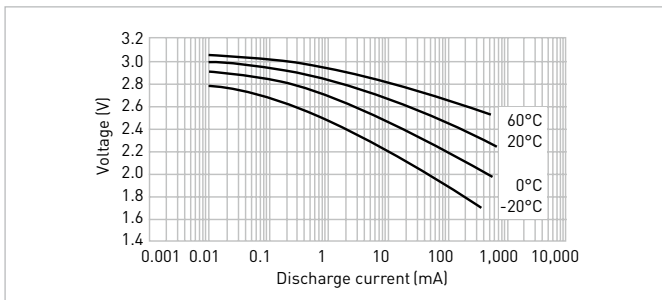
DISCHARGE TEMPERATURE CHARACTERISTICS



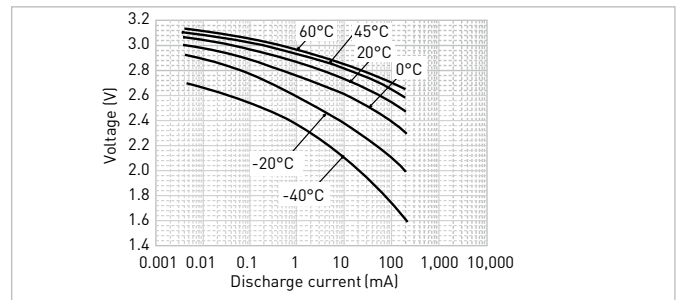
DISCHARGE TEMPERATURE CHARACTERISTICS



OPERATING VOLTAGE VS. DISCHARGE CURRENT*1



OPERATING VOLTAGE VS. DISCHARGE CURRENT*1



The data in this document are for descriptive purposes only and are not intended to make or imply any guarantee or warranty.

*1 Voltage at 50% discharge depth.