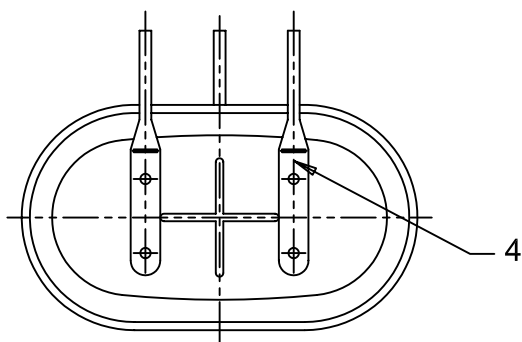
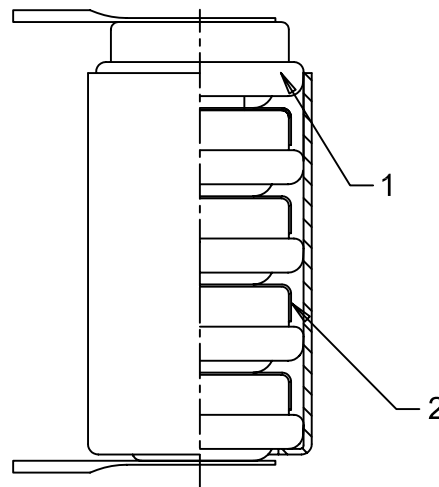
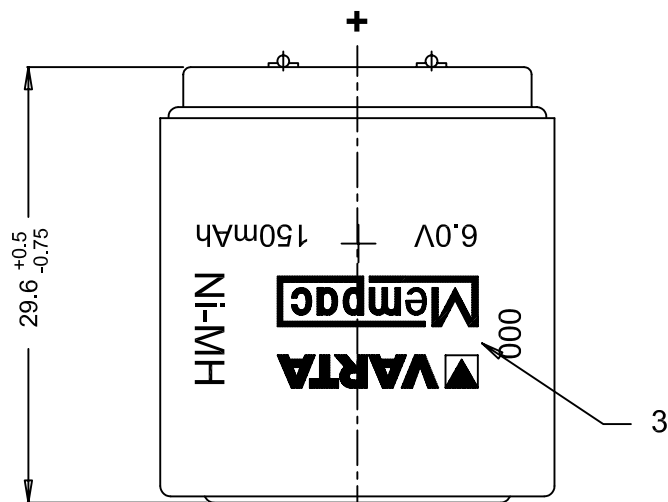
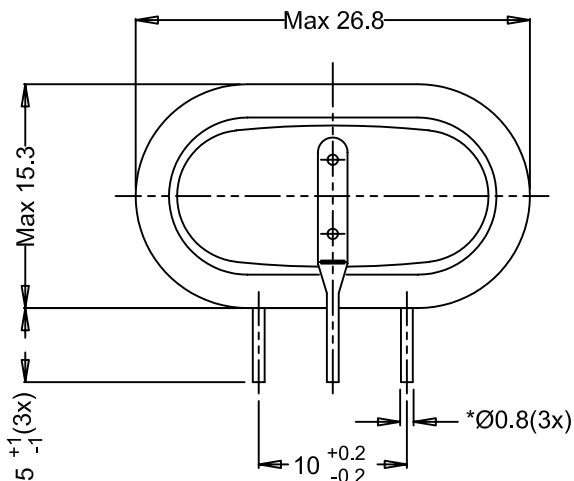


This is a controlled document.  
 Hardcopy to be endorsed by authorized person.  
 Check with Issuing Office or SAP system for latest update.

# CELL PACK SOLUTIONS

Telephone: +44 (0)191 496 9999  
 Website: www.cellpacksolutions.co.uk  
 Email: batteries@cellpacksolutions.co.uk



Note: \*Dimensions for reference only

Approx. wt : 31 g

No.	Alterations:	Date:	Name:	Dimensions in mm	Material:	
1	AO R36/03; Terminal pin change to use flatten model	2002-08-22	Ratna	Tolerance: As specified	Refer to part list no: 063708	
2	AO R001/04; Change code from 4 digit to 3 digit	2004-01-02	Tutik	Projection:		
3	AO R012/04; Change VKB from ...012 to ...940	2004-02-11	Dwi	Scale: 2 : 1		
				Loc. : 1	Date: 2002-08-22	5/V150H battery with casing & terminal pin
				Prepared:	Name: Ratna	
				Approved:		

RIGHTS RESERVED TO MAKE TECHNICAL CHANGES, AS A RESULT OF FURTHER DEVELOPMENT, WITHOUT NOTICE. THIS DRAWING IS THE PROPERTY OF VARTA BATTERIES PTE LTD AND MUST NOT BE COPIED OR DISCLOSED TO A THIRD PARTY WITHOUT THE WRITTEN CONSENT OF VARTA BATTERIES PTE LTD.



Dwg. No: 063708 4 0 3  
 VKB Order No: 55615 605 940  
 Released : 2001-02-20