

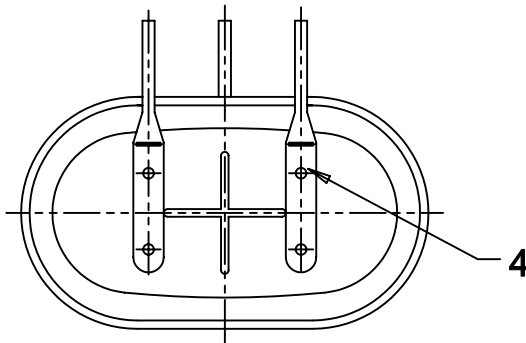
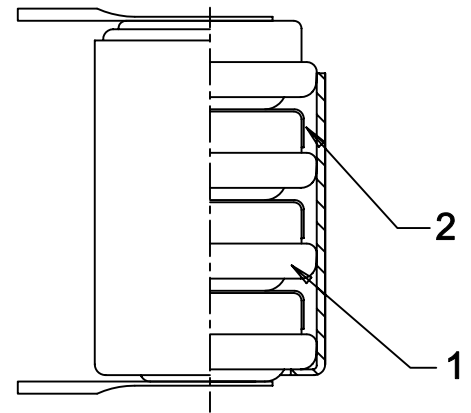
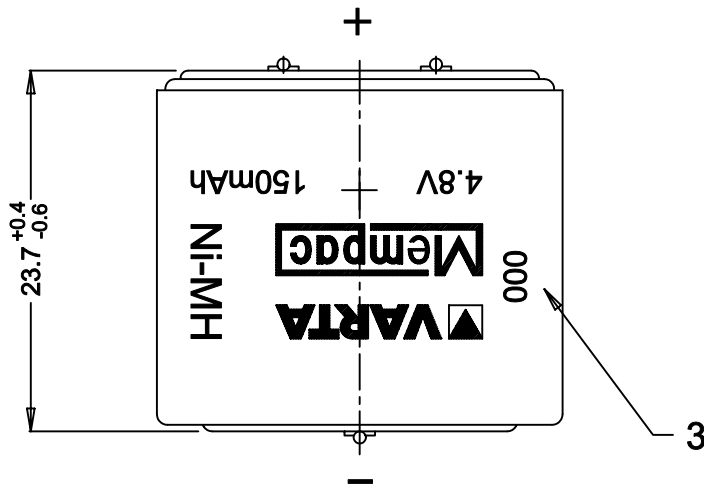
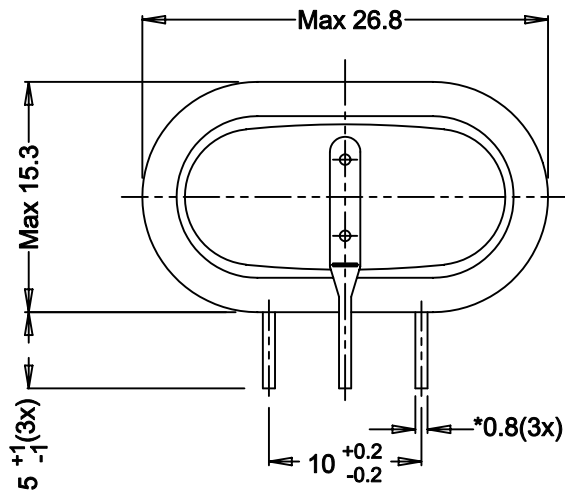
This is a controlled document.

Hardcopy to be endorsed by authorized person.

Check with Issuing Office or SAP system for latest update.

CELL PACK
SOLUTIONS

Telephone: +44 (0)191 496 9999
Website: www.cellpacksolutions.co.uk
Email: batteries@cellpacksolutions.co.uk



Note: *Dimensions for reference only

Approx. wt: 25 g

No.	Alterations:	Date:	Name:	Dimensions in mm	Material:
1	AO R36/03; Terminal pin change to use flatten model	2002-08-22	TitisWS	Tolerance: As specified	Refer to part list no: 063707
2	AO R001/04; Change code from 4 digit to 3 digit	2004-01-02	Tutik	Projection:	
				Scale: 2 : 1	Description: 4/V150H battery with casing & terminal pin
				Loc. : 1 Date: Name:	
				Prepared: 2001-02-20 Yeni	
				Approved:	
RIGHTS RESERVED TO MAKE TECHNICAL CHANGES, AS A RESULT OF FURTHER DEVELOPMENT, WITHOUT NOTICE. THIS DRAWING IS THE PROPERTY OF VARTA BATTERIES PTE LTD AND MUST NOT BE COPIED OR DISCLOSED TO A THIRD PARTY WITHOUT THE WRITTEN CONSENT OF VARTA BATTERIES PTE LTD.					
				VKB Order No: 55615 604 940	
				Released : 2001-02-20	