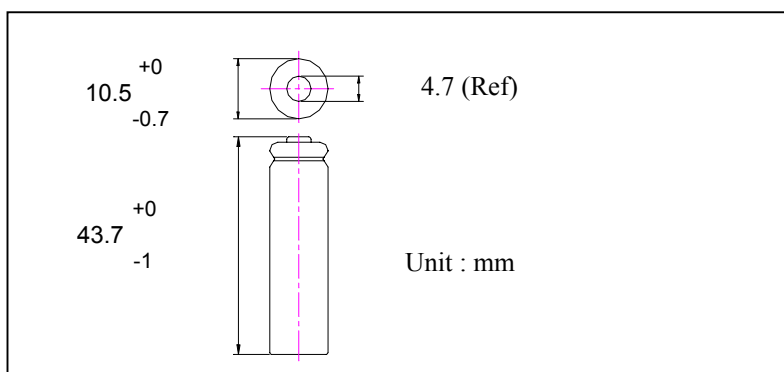


GP Batteries

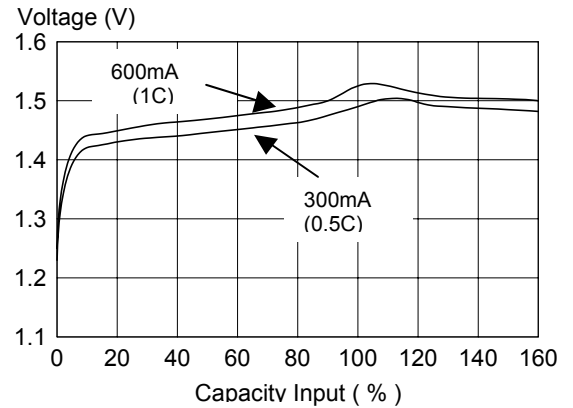
Data Sheet

Model No.: GP60AAAH

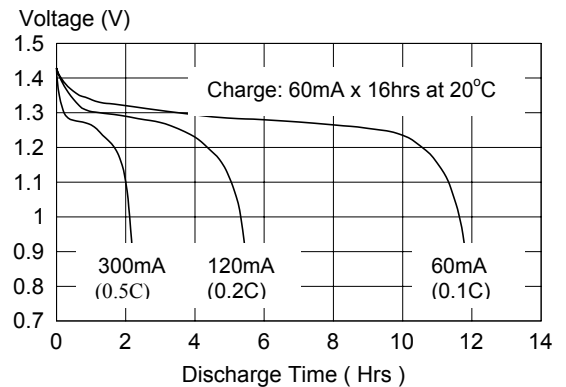
Type	Rechargeable Nickel Metal Hydride Cylindrical Cell	
Nominal Dimension (with Sleeve)	Φ = 10.5 mm H = 43.7 mm	
Applications	Recommended discharge current 60 to 1800 mA	
Nominal Voltage	1.2V	
Capacity	Minimum: 600 mAh Typical: 630 mAh when discharged at 0.2C to 1.0V at 20°C	
Charging Condition	60 mA for 16 hrs at 20°C	
Fast Charge	300 mA to 600 mA (0.5 to 1C) charge termination control recommended control parameters: -ΔV : 0 - 5mV DT/dt ** : 0.8°C/min (0.5 to 0.9C) : 0.8 - 1°C/min (1C) TCO ** : 45 - 50°C Timer **: 105% nominal input ** For reference only	
Service Life	>500 cycles (IEC standard)	
Continuous Overcharge	60 mA maximum current for 1 year No conspicuous deformation and/or leakage	
Weight	13.0 g	
Internal Resistance	Average 40 mΩ upon fully charged (Range 30 – 50 mΩ) at 1000HZ	
Max. Charging Voltage	1.5V at 60 mA charging	
Ambient Temperature Range	Standard Charging	0 to 45°C
	Fast Charging	10 to 45°C
	Discharging	-20 to 50°C
	Storage	-20 to 35°C



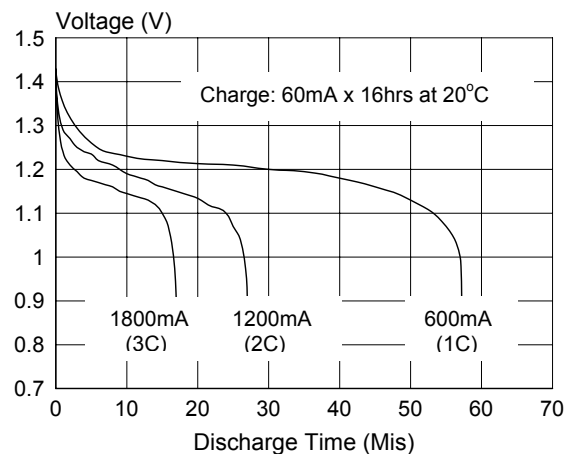
Fast Charge (charge control required)



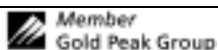
Low rate discharge



High Rate Discharge



* The information (subject to change without prior notice) contained in this document is for reference only and should not be used as a basis for product guarantee or warranty. For applications other than those described here, please consult your nearest GP Sales and Marketing Office or Distributors.



Manufacturer reserves the right to alter or amend the design, model and specification without prior notice. TRS0227 Rev.04