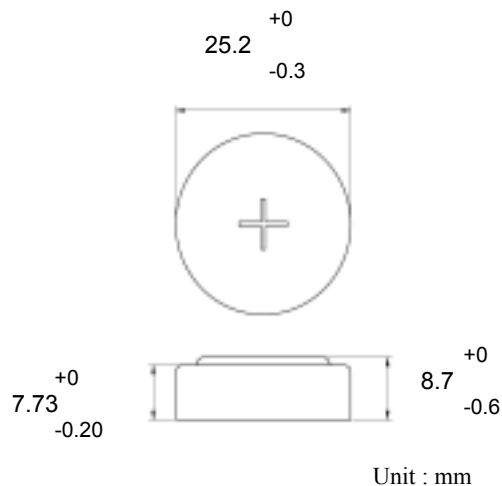
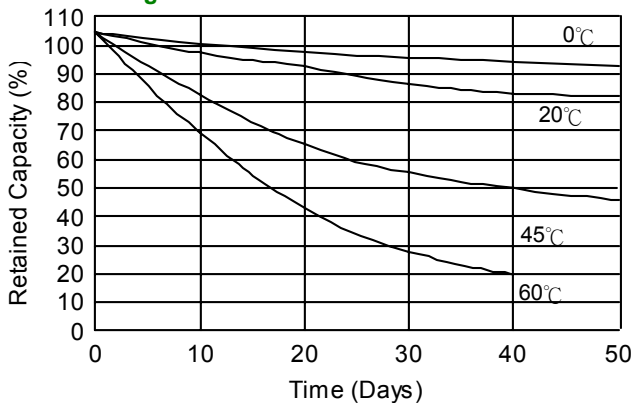


<b>Type</b>	: Rechargeable Nickel Metal Hydride Button Cell
<b>Nominal Dimension (with Sleeve)</b>	: $\Phi = 25.2\text{mm}$ H = 8.7mm
<b>Applications</b>	: Recommended discharge current 3.2 to 160 mA
<b>Nominal Voltage</b>	: 1.2V
<b>Capacity</b>	: Nominal: 320mAh Minimum: 320mAh Typical: 370mAh When discharged at 0.2C to 1.0V at 20°C
<b>Charging Condition</b>	: 32 mA for 16 hrs at 20°C
<b>Service Life</b>	: >500 cycles (IEC standard)
<b>Continuous Overcharge</b>	: 32 mA maximum current for 1 year No conspicuous deformation and/or leakage
<b>Weight</b>	: 14.1g
<b>Internal Resistance</b>	: Under 200 m $\Omega$ upon fully charged
<b>Max. Charging Voltage</b>	: 1.5V at 32mA charging
<b>Ambient Temperature Range</b>	: Standard Charging : 0 to 45°C Discharging : 0 to 45°C Storage : -20 to 45°C

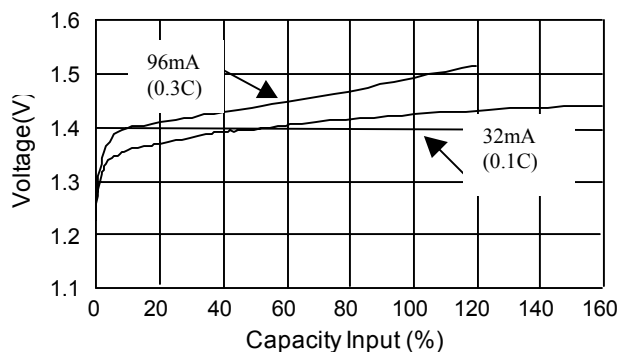
Model No.: **GP320BVH**



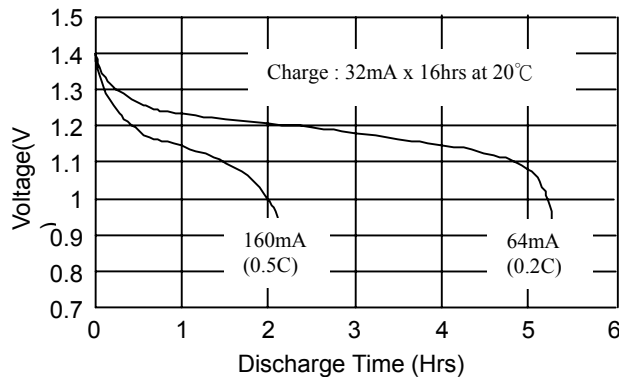
### Charge Retention Characteristics



### Charge Characteristics



### Discharge Characteristics



**CELL PACK**  
SOLUTIONS

Telephone: +44 (0)191 496 9999  
Email: batteries@cellpacksolutions.co.uk  
Website: www.cellpacksolutions.co.uk

The information (subject to change without prior notice) contained in this document is for reference only and should not be used as a basis for product guarantee or warranty. For applications other than those described here, please consult your nearest GP Sales and Marketing Office or Distributors.

TRS0079 Rev.02