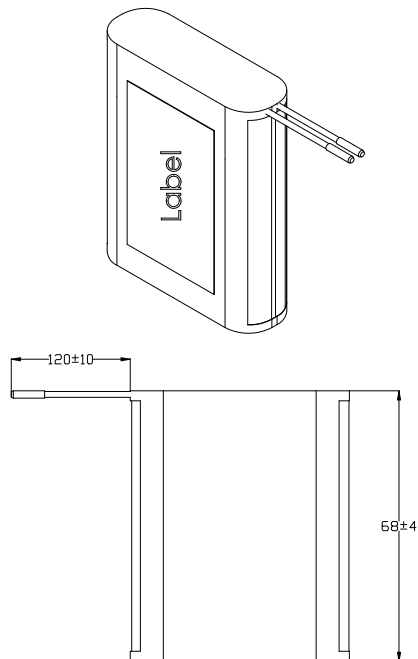
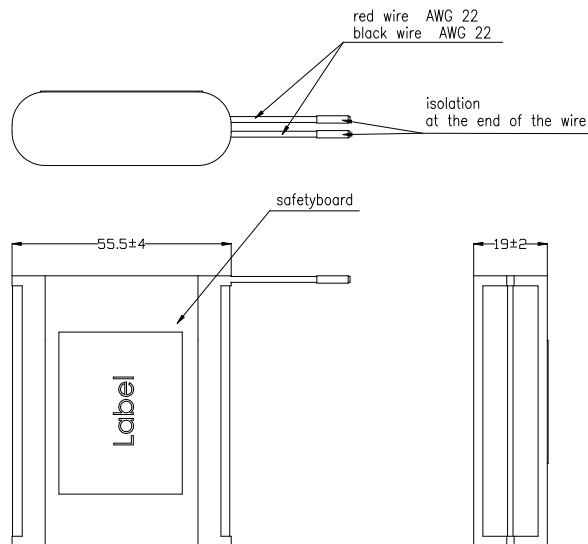


The supplier acknowledges that, with the acceptance of the drawing, he is obliged to manufacture the described part in accordance with the drawing, irrespective of any reservations or comments. The supplier is not liable for any damage caused by the use of the drawing. The supplier is not liable for any damage caused by the use of the drawing.

Technische Daten/ technical data	:	Akkupack/ batterypack
Chemie/ chemistry	:	Lithium Ion
Zellenzahl/ no. of cells	:	3 Zellen/ cells INR18650 LGC B4 ; 1S3P
Kapazität/ capacity	:	nom. 7800mAh discharge at 0.2C min. 7500mAh discharge at 0.2C ta:20°C; EV(Discharge End Voltage): 2.75V per cell
Innenwiderstand/ impedance	:	< 70mOhm (battery and safetyboard)
Nominalspannung/ nominal voltage	:	3.7V
Standard Ladespannung/ standard charge voltage	:	4.2V±1%
Standard Entladespannung/ standard discharge voltage	:	2.75V
Nominaler Ladestrom/ nominal charge current	:	3000mA (limited by safetyboard)
Maximaler Ladestrom/ maximum charge current	:	3000mA (limited by safetyboard)
Ladeendstrom/ charge end current	:	0.01C recommended
Maximaler Entladestrom/ maximum discharge current	:	3000mA (limited by safetyboard)
Anwendungstemperaturbereich/ ambient temperature range	:	0°C...+45°C charge -20°C...+60°C discharge -20°C...+30°C storage max. 1 year -20°C...+45°C storage max. 3months
Selbstentladung/ self discharge	:	≤ 5% / month at20°C ≤ 10% / month at30°C ≤ 20% / month at40°C
Standards/	:	UN 3480, Subsection 38.3 All cells and batterypacks type tested according to UN manual of test and criteria subsection 38.3

Technische Daten/
technical data : Sicherheitsschaltung/
safety board

Überladeschutzspannung/ over charge voltage detection	:	4.25V±25mV per cell
Wiedereinschaltspannung/ over charge release voltage	:	4.05V±50mV per cell
Entladeabschaltspannung/ over discharge detection voltage	:	2.5V±62mV per cell
Wiedereinschaltspannung/ over discharge release voltage	:	2.85V±250mV per cell
Nominaler Lade/Entladestrom/ nominal operating current	:	3A
Entlade Abschaltstrom/ discharge cut off current	:	8.5A± 2A
Kurzschlusschutz/ short circuit protection	:	gegen äußeren Kurzschluss/ against external short circuit
Temperaturschalter/ temperature switch	:	---
MOSFET	:	in Masse in Gnd
Rückstellkriterium/ release condition	:	Last trennen, Aktiv nach Anladen/ cut load, release after charging up
Nettogewicht/ net weight	:	140g
Leiterplattenmaterial/ pcb material	:	FR4
Standards	:	CE



batterypack covered with 1 layer of blue shrinktube

Verwendungsbereich/Application range für Anfrage/for inquiry AN-IS-2013-00426		Zul. Abweichung/ Allowable deviation	Oberfläche/ Surface	Maßstab/Scale (DIN A2): 1:1	Gewicht/Weight
		Allgemeintoleranz DIN ISO 2768-m		Werkstoff/Work material, Modell-Nr.	
		2013	Datum/Date Name	Zeichnungsname/Drawing name	
		Zeichner/ Drawn by	23.10.	JE	Li-Ion Battery 3.7V 7800mAh with safetyboard
V2	changed cell description	18.12.17	DS	Zeichnungsnummer/Drawing number	
V1	change request: DE-15-0022	15.01.16	MSI	Artikelnummer/Part number 2447-3034-01	
Version	Anderung/Change	Datum/Date	Name	Ursprung/Origin Proj. IS-2013-00426	Ersatz für/Replaced by Ersatz durch/Replacement through
					Blatt/ Sheet 1