

GP Batteries

Data Sheet

Rechargeable Nickel Metal Hydride Battery

Model: GP410LAH

Revision History

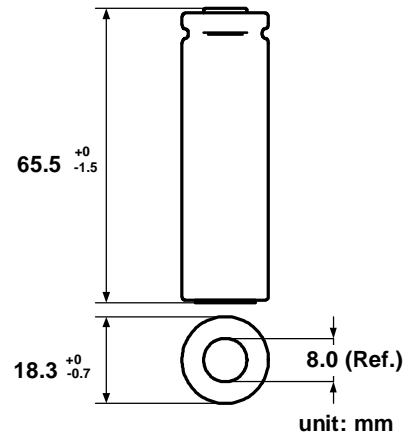
Revision	Date	Initiator	Change Description
00	2013-8-13	Jackie Yu	New Issue
01	2014-7-4	YS Liu	New Form
02	2016-12-28	YS Liu	1. Change rated capacity 2. Add charge retention

Prepared by	Checked by	Approver
RD Engineer	RD Manager	SM
YS Liu	JP Zou	Vivian Fong
Date: 2016-12-28	Date: 2016-12-28	Date:2016-12-28

GPI International Limited

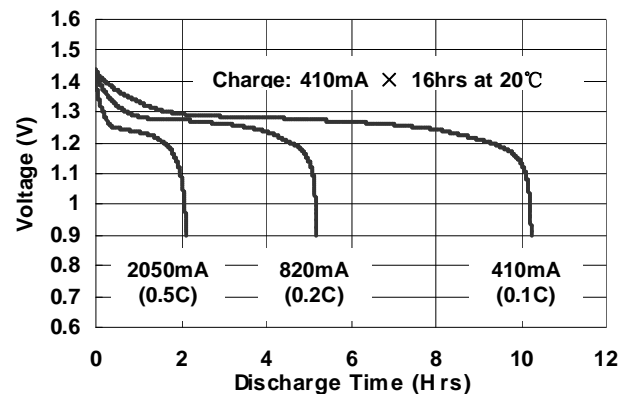
Gold Peak Building, 8/F, 30 Kwai Wing Road,
Kwai Chung, New Territories, Hong Kong.
Tel: (852) 2484 3333 Fax: (852) 24805912
Email: gpii@goldpeak.com
Website: <http://www.gpbatteries.com>

Model No.: GP410LAH

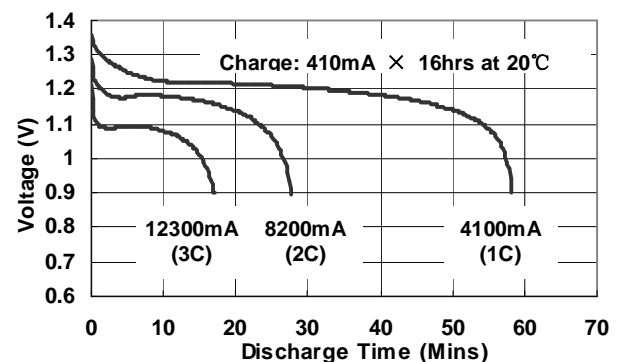


Type	: Rechargeable Nickel Metal Hydride Cylindrical Cell
Nominal Dimension (with Sleeve)	: $\Phi = 18.3\text{mm}$ H = 65.5mm
Applications	: Recommended discharge current: 410mA to 12300mA
Nominal Voltage	: 1.2V
Capacity	: Rated: 4100mAh Typical: 4220mAh When discharged at 820mA to 1.0V at 20°C
Charging Condition	: 410mA for 16hrs at 20°C
Fast Charge	: 2050mA to 4100mAh (0.5C to 1C) charge termination control recommended control parameters: - ΔV : 0-5mV DT/dt : 0.8°C/min(0.5C to 0.9C) 0.8 - 1°C/min(1C) TCO : 45-50°C Timer : 105% nominal input (for ref. only)
Charge Retention	: 50% of nominal capacity after cell storage at 20°C for 12months When discharged at 820mA to 1.0V at 20°C
Service Life	: >500 cycles (IEC standard)
Continuous Overcharge	: 410mA maximum current for 1 year No conspicuous deformation and/or no leakage
Weight	: 58.0g
Internal Resistance	: Average 19 m Ω upon fully charged (Max 25 m Ω) at 1000Hz
Max. Charging Voltage	: 1.5V at 410mA charging
Ambient Temperature Range	: Standard Charging : 0 to 45°C Fast Charging : 10 to 45°C Discharge : -20 to 50°C Storage : -20 to 35°C Storage (1 week) : -20 to 60°C

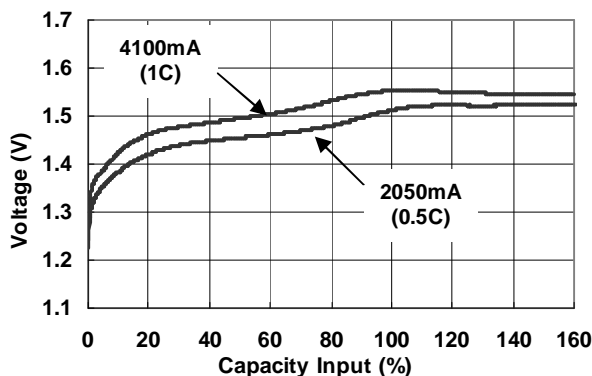
Low Rate Discharge



High Rate Discharge



Fast Charge (Charge Control Required)



The information (subject to change without prior notice) contained in this document is for reference only and should not be used as a basis for product guarantee or warranty. For applications other than those described here, please consult your nearest GP Sales and Marketing Office or Distributors.