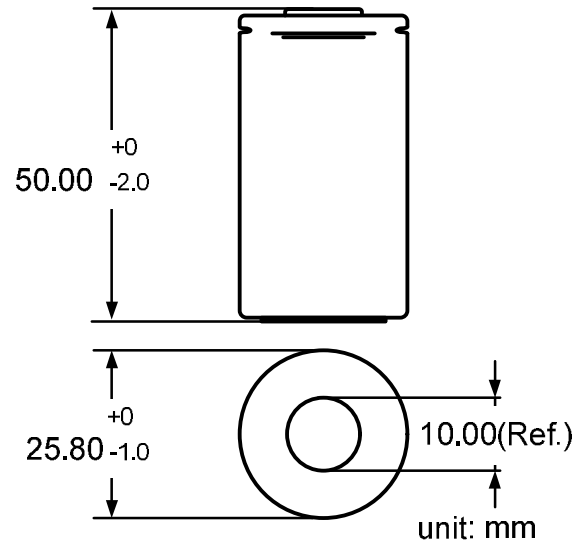
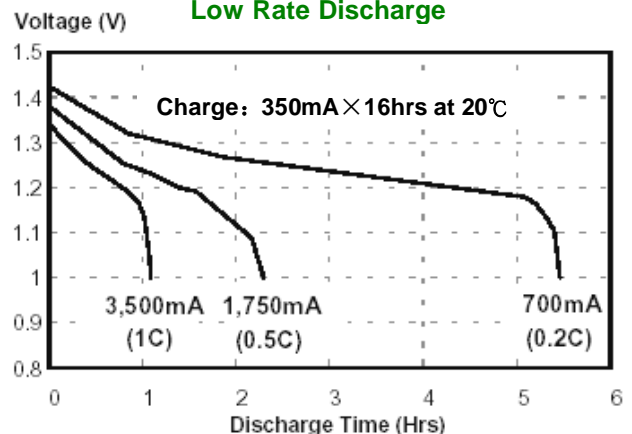


<b>Type</b>	: Rechargeable Nickel Metal Hydride Cylindrical Cell
<b>Nominal Dimension (with Sleeve)</b>	: $\Phi = 25.8\text{mm}$ H = 50.0mm
<b>Applications</b>	: Recommended discharge current 350mA to 17.5A
<b>Nominal Voltage</b>	: 1.2V
<b>Capacity</b>	: Rated: 3500mAh Typical: 3850mAh When discharged at 700mA to 1.0V at 20°C
<b>Charging Condition</b>	: 350mA for 16hrs at 20°C
<b>Fast Charge</b>	: 1750mA (0.5C) to 3500mAh(1C) with charge termination control recommended control parameters: - $\Delta V$ : 0-5mV DT/dt : 0.8°C/min (0.5C to 0.9C) 0.8-1°C/min (1C) TCO : 45 - 50°C Timer : 105% nominal input (Secondary)
<b>Charge Retention</b>	: 50% of rated capacity after cell storage at 20°C for 12 months When discharged at 700mA to 1.0V at 20°C
<b>Service Life</b>	: >500 cycles (IEC standard)
<b>Continuous Overcharge</b>	: 350mA maximum current No conspicuous deformation and/or Leakage
<b>Weight</b>	: 78.5g
<b>Internal Resistance</b>	: Average 6m $\Omega$ upon fully charged (Max 10m $\Omega$ ) at 1000Hz
<b>Max. Charging Voltage</b>	: 1.5V at 350mA charging
<b>Ambient Temperature Range</b>	: Standard Charge : 0 to 40°C Fast Charging : 10 to 40°C Discharge : -20 to 50°C Storage : -20 to 35°C Storage(1 week) : -20 to 60°C

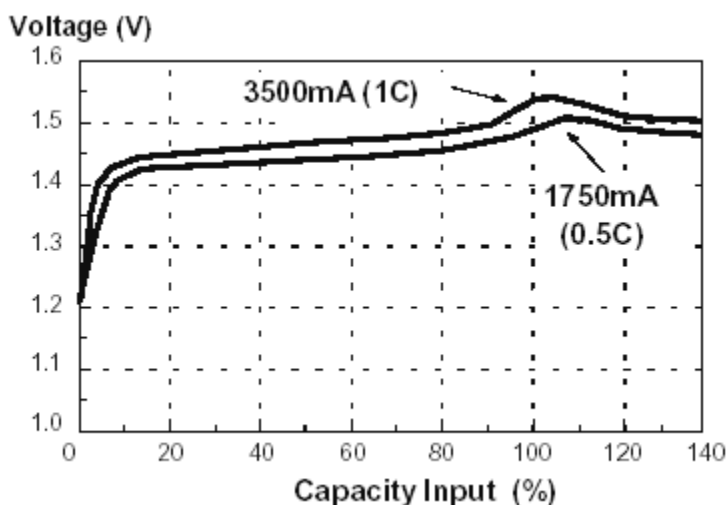
Model No.: **GP350CH**



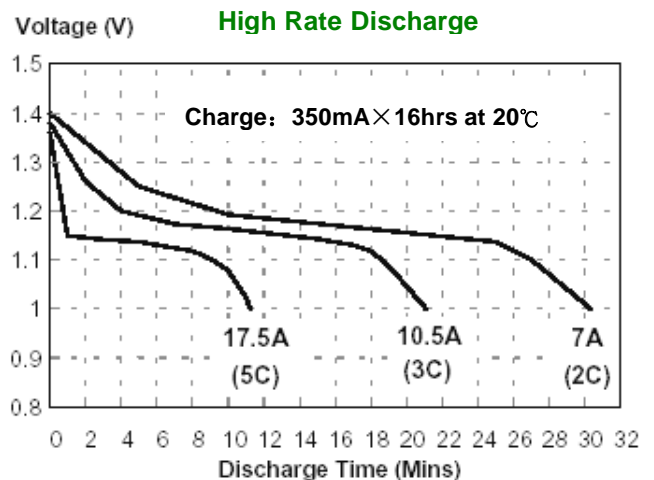
### Low Rate Discharge



### Fast Charge (Charge Control required)



### High Rate Discharge



The information (subject to change without prior notice) contained in this document is for reference only and should not be used as a basis for product guarantee or warranty. For applications other than those described here, please consult your nearest GP Sales and Marketing Office or Distributors.